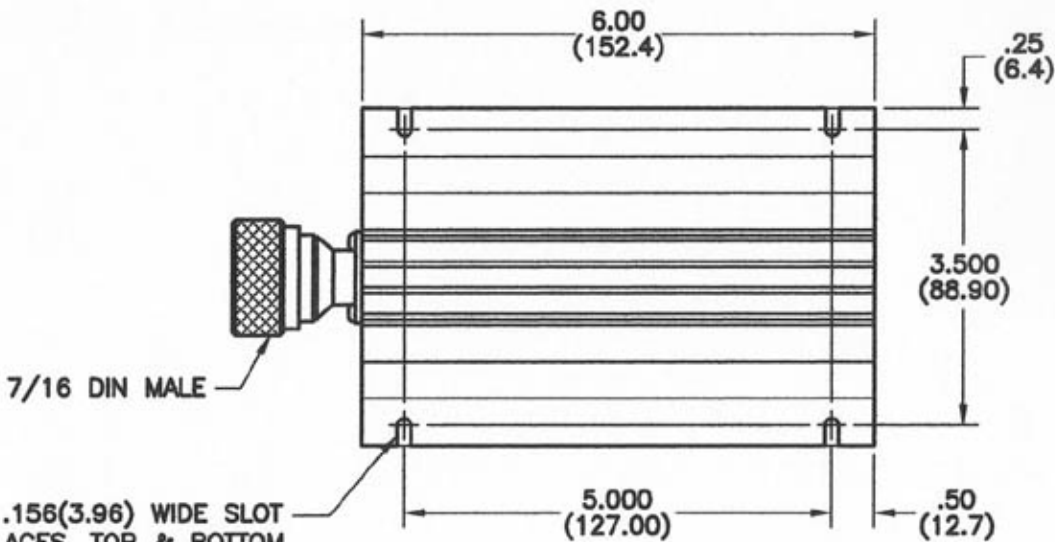
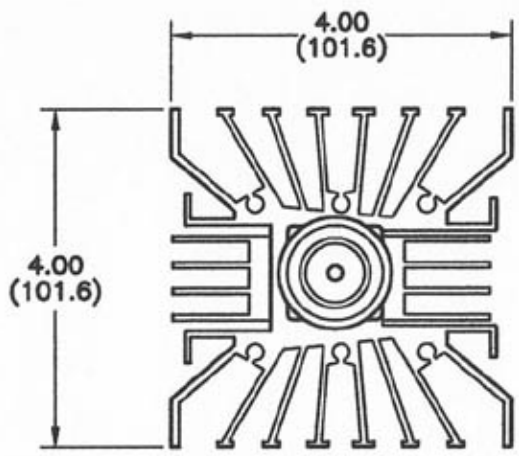


REVISIONS					
REV	ZONE	DESCRIPTION	DATE	BY	ECO



.156(3.96) WIDE SLOT
4 PLACES, TOP & BOTTOM

SPECIFICATIONS

- FREQUENCY RANGE - DC TO 6.0 GHz
- IMPEDANCE - 50 OHMS
- VSWR (DC - 2.0 GHz) - 1.20:1
- (2.0 - 4.0 GHz) - 1.35:1
- (4.0 - 6.0 GHz) - 1.40:1
- INPUT POWER (AVG.) - 150 WATTS
- (Peak) - 2000 WATTS

CONNECTOR TYPES - BNC, TNC, N, SMA, 7/16 DIN
PLUG OR JACK
(7/16 DIN PLUG SHOWN)

DIMENSIONS: INCHES (MILLIMETERS)

TOLERANCES		THE INFORMATION CONTAINED IN THIS DOCUMENT IS THE PROPERTY OF MICROWAVE DEVICES, INC. AND IS PROPRIETARY. IT IS NOT TO BE COPIED OR USED FOR ANY PURPOSE OTHER THAN AS INSTRUCTED, IN WRITING, BY MICROWAVE DEVICES, INC.
DECIMAL ± .02	FRACTION ±	
MATERIAL		
FINISH		
SIGNATURES		DATE
DR	G.V.Cothren	12-1-68
CHK		
APPD		
APPD		

MICROWAVE DEVICES
RF and Microwave Components

OUTLINE, TERMINATION, MODEL 6150-7-6

CAGE	SIZE	DRAWING NO.
60674	B	900779-1
DRAWING SCALE		SHEET 1 OF 1

CONTACT: MICROWAVE DEVICES - 1150 N. GRAHAM RD. FRANKLIN, IN 46131 (317) 734-8833

DIMENSIONS ARE IN INCHES UNLESS OTHERWISE SPECIFIED.